

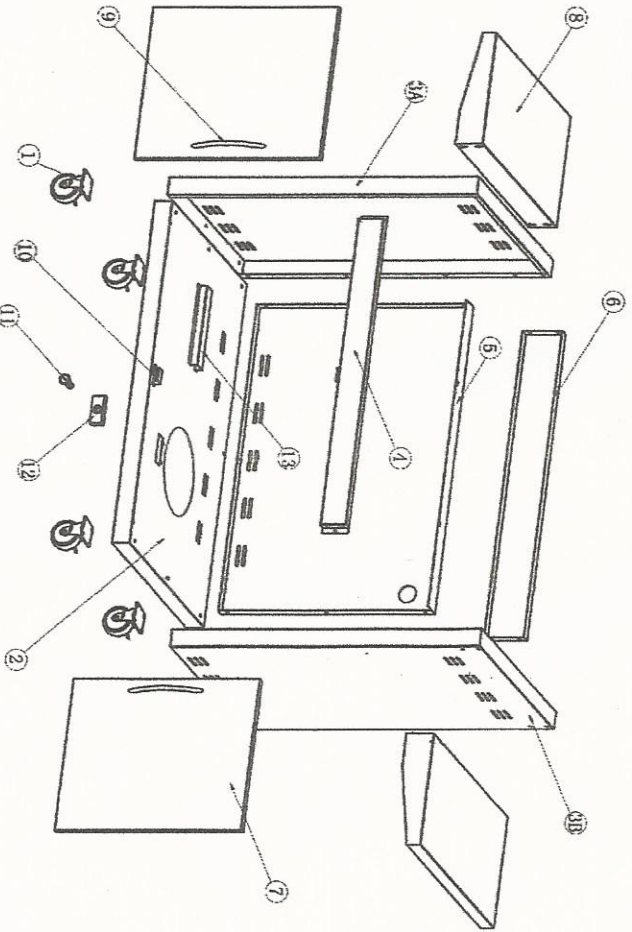
3/4/5B CART ASSEMBLY INSTRUCTIONS (Large Handle)

HARD WARE:

1. M5x12 screw 58pcs
2. M6x8 screw 4pos(for door handles)
3. M6 Lock Washer (for Door Handle)

PARTS LIST:

- | | |
|---|---------------------------------|
| 1. Locking Caster (4 pcs) | 7. Front Door (2pcs) |
| 2. Bottom Panel (1 pcs) | 8. Double Side Shelves (2pcs) |
| 3. Side Panels (3A Left + 3B Right) | 9. Front Door Handle (2pcs) |
| 4. Front Strut Assy with magnetic catch. (1pcs) | 10. Lower Magnetic Catch (1pcs) |
| 5. Bottom Back Panel (1pcs) | 11. Tank Bracket Screw (1 pcs) |
| 6. Upper Back Panel (1pcs) | 12. Tank Bracket Assy (1pcs) |
| | 13. Interference Bracket (1pcs) |



Step 1: Remove all parts from the carton and please use an assistant to help in this cart assembly.

Step 2: With the Bottom Panel#2 positioned upside down on a protective surface, attach all of the Locking Caster #1 using 8pcs M5*12 screws.

Step 3: Attach the Tank Bracket Assy #12 to the underside of the Bottom Panel using 2pcs M5*12 screws. Make sure the Head of the bolt is pointing away from the Tank hole

Note: The Propane tank is held in position by the Tank Bracket screw #11 (M14*38) that clamps the tank in place.

Step 4: Turn the Bottom Panel upright and then attach the Interference Bracket #13 to the bottom panel with 4psc M5*12 screws.

Step 5: Attach the Right & Left Side Panel #3A & 3B to the Bottom Panel #2 by using 6pcs M5*12 screws.

Step 6: Attach Bottom Back Panel #5 to the Side Panels (3A & 3B) by using 6pcs M5*12 screws and then to the Bottom Panel #2 by using 1pcs M5*12 screws.

Step 6A (5 Brr Cart) The attachment of the Bottom Back Panel #5 to the Bottom Panel #2 requires 2pcs M5*12 screws.

Step 7: Attach Upper Back Panel #6 to the Side Panels (3A & 3B) using 4pcs M5*12 screws.

Step 8: Lay the Front Doors on a flat surface and attach the Front Door Handle#9 to each Front Door #7 using 2pcs M6*8 screw & 2 @ M6 Lock washer for each handle.

Step 9: (An assistant will help with this part of the assembly) Place the Front Doors #7 into the cart assembly, by first inserting the Bottom Pin of the door into the hole located on the Bottom panel. Then insert the Upper Pin of the door into the hole located on the underside of the Front Strut #4. Do the same procedure with the other door.

Step 10: Attach the Front Strut Assembly #4 between the front of each Side Panel and secure with 6pcs M5*12 screw.

Step 11: Attach a Side Shelf #8 to each Side Panel by using 4psc M5*12 screw on each side.

Step 12: Attach the Lower Magnetic Catch #10 using 2psc M5*12 screw to the center of the Bottom Panel#2. You may have to adjust both magnets to make sure they have good contact with both doors

Step 13: Finally, the barbecue is ready to be installed into the cart. Once installed, secure the barbecue head with 2psc M5*12 screw through the holes that are on each side, towards the front, on the inside of the firebox.

Note: Some adjustments may be needed to obtain proper placement or level positioning in the cart. Make sure to tighten all screws with screwdriver.